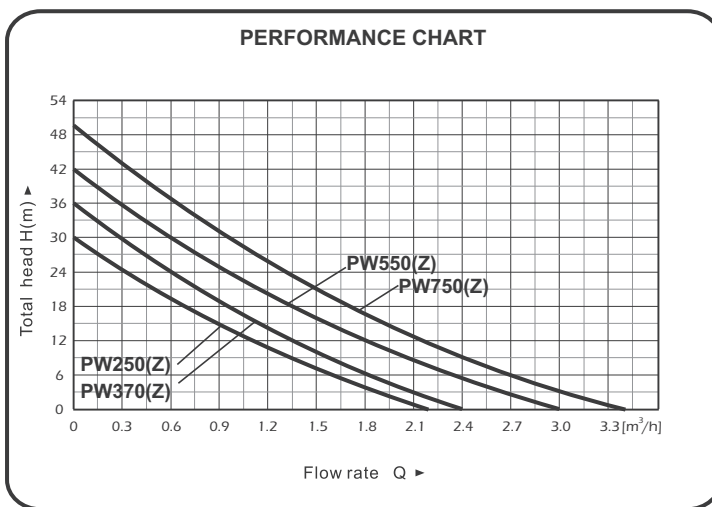




PW Series

Self-priming Peripheral Pumps

60Hz



OPERATING CONDITIONS

Max. suction lift	8 m
Max. liquid temperature	90 °C
Max. ambient temperature	40 °C
Max. working pressure	5 Bar



FEATURES

- Self-priming peripheral pump for both hot and cold water.
- Advanced structure with lower noise.
- Intelligent control by both flow sensor and pressure sensor which is convenient.

MATERIAL

- **Pump body:** Cast iron with Stainless steel insert
- **Motor Casing:** Aluminum
- **Impeller:** Brass
- **Shaft:** Welded by SS304 and Cs45
- **Mechanical seal:** Ceramic / Graphite / NBR
- **Copper winding**

SPECIFICATION

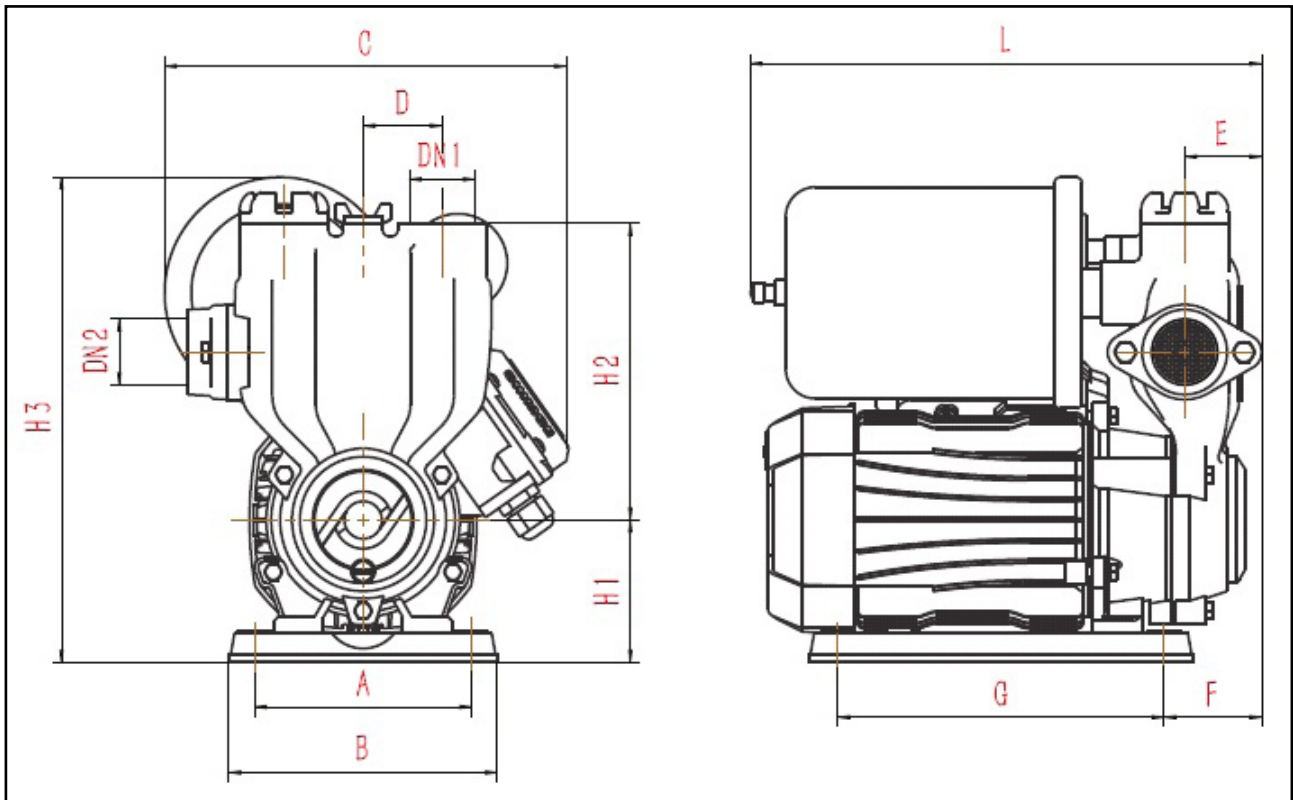
Model	Power [HP]	Power [kW]	Max. Flow [m³/h]	Max. Head [m]	Discharge [Inch]	Packing size [mm]	Weight [kg]
PW250(Z)	0.34	0.25	2.2	30	1"	295 x 230 x 300	9
PW370(Z)	0.5	0.37	2.4	36	1"	295 x 230 x 300	9.3
PW550(Z)	0.75	0.55	3	42	1"	315 x 245 x 325	12.1
PW750(Z)	1	0.75	3.4	50	1"	315 x 245 x 325	13.8

- All technical information are subject to change without further notice.

APPLICATION

- Household water supply.
- Well water pumping.
- Tap water pressure.
- Water towers supply.
- Solar or hot water systems pressure.

PUMP DIMENSIONS



Model	Dimensions [mm]												
	DN1	DN2	A	B	C	D	E	F	G	L	H1	H2	H3
PW250Z	1"	1"	110	136	204	46	39	49.5	165	259	72	150	245.5
PW370Z	1"	1"	110	136	204	46	39	49.5	165	259	72	150	245.5
PW550Z	1"	1"	132	160	212	50	39	41.5	190	268	84	170	285
PW750Z	1"	1"	132	160	212	50	39	41.5	190	268	84	170	285